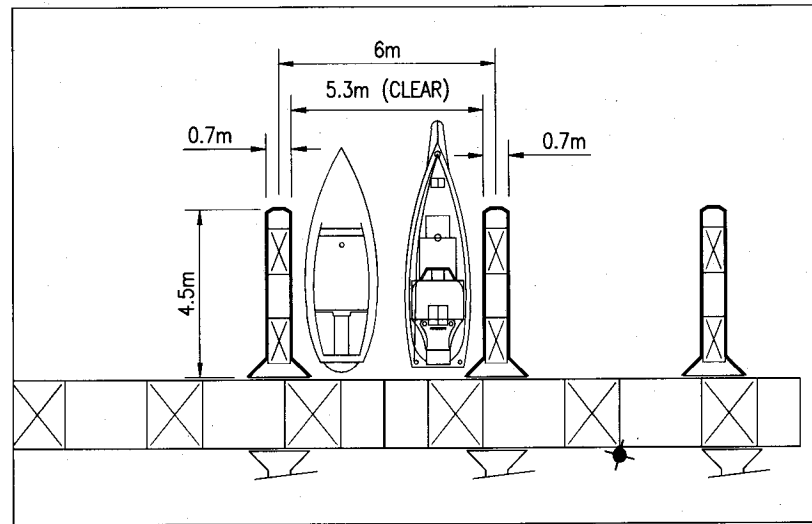
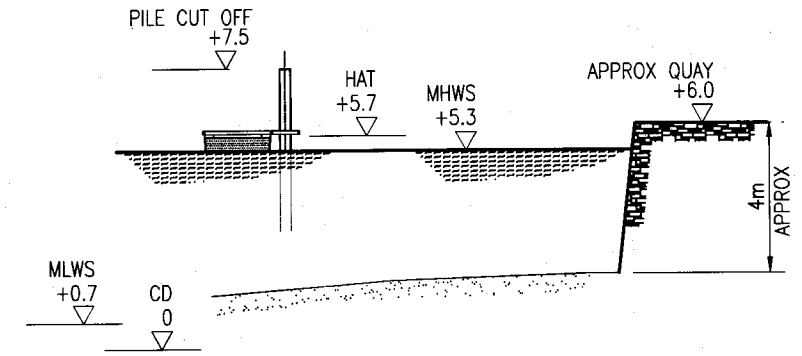


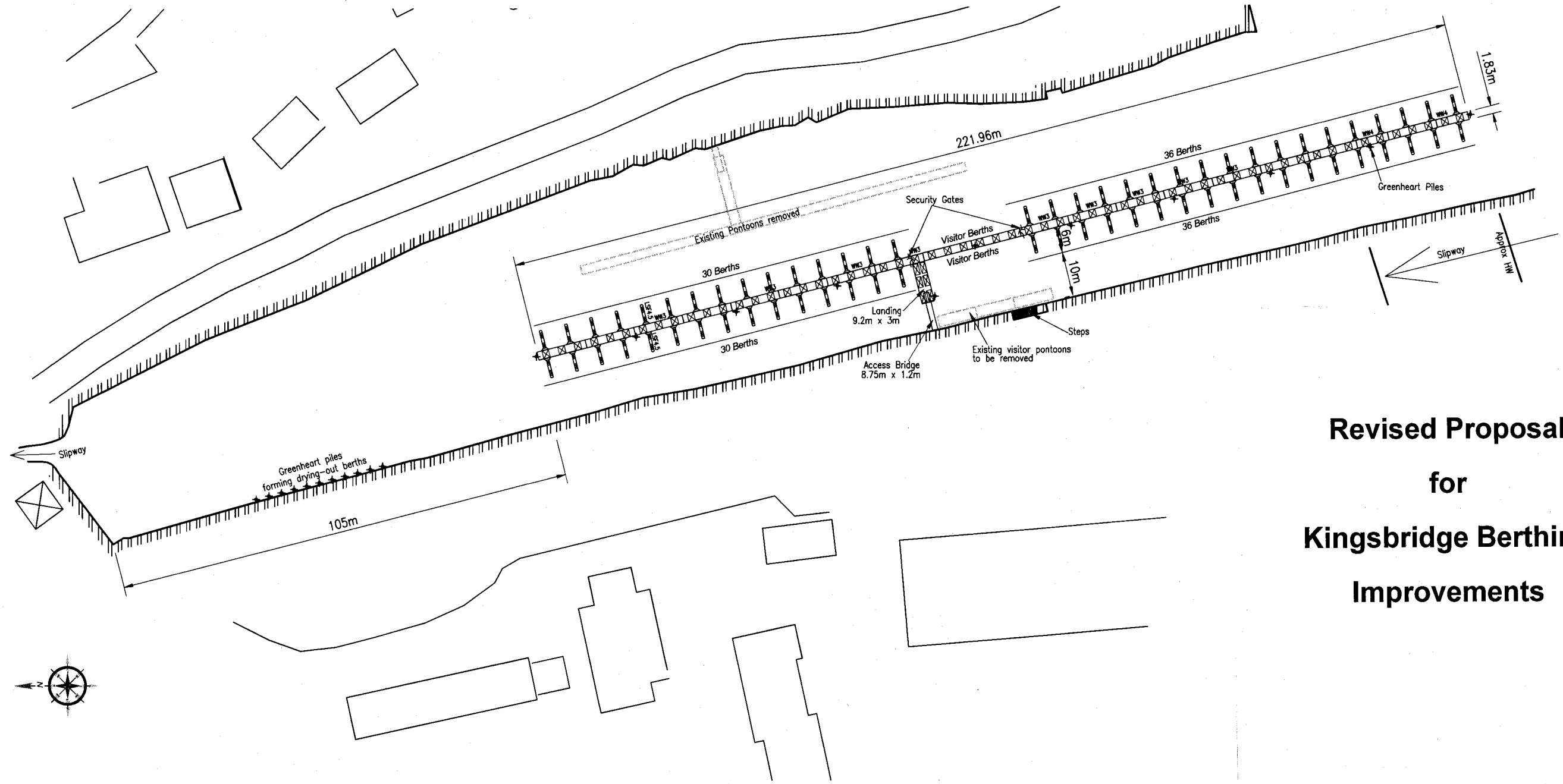
**SITE LOCATION**  
SCALE 1:2500



**ENLARGED VIEW ON TYPICAL BERTH SIZES**  
SCALE 1:200



**TYPICAL SECTION**  
SCALE 1:200



**Revised Proposal  
for  
Kingsbridge Berthing  
Improvements**